

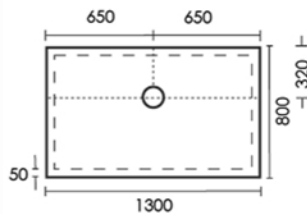
hidden tray sizes

AF1

1300 x 800

tray depth: 20mm
tray weight: 5.2kg

6m2 kit - £430
10m2 kit - £490
tray only kit - £330

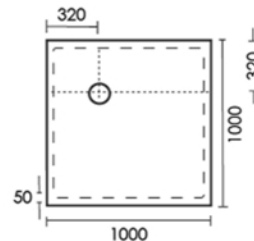


AF2

1000 x 1000

tray depth: 20mm
tray weight: 5kg

6m2 kit - £430
10m2 kit - £490
tray only kit - £320

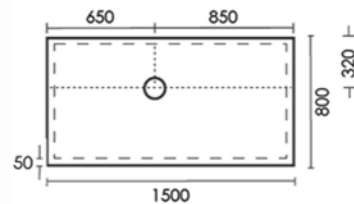


AF3

1500 x 800

tray depth: 24mm
tray weight: 6kg

6m2 kit - £460
10m2 kit - £540
tray only kit - £350

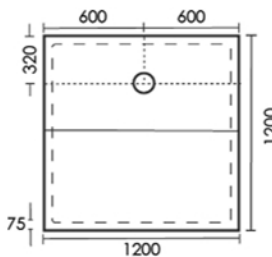


AF4

1200 x 1200

tray depth: 20mm
tray weight: 7kg

6m2 kit - £490
10m2 kit - £550
tray only kit - £360

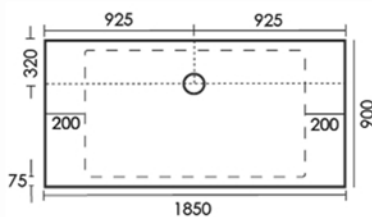


AF5

1850 x 900

tray depth: 27mm
tray weight: 8.5kg

6m2 kit - £530
10m2 kit - £620
tray only kit - £420

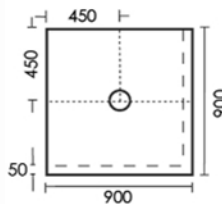


AF6

900 x 900

tray depth: 20mm
tray weight: 4.2kg

6m2 kit - £430
10m2 kit - £490
tray only kit - £320

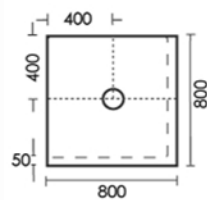


AF7

800 x 800

tray depth: 20mm
tray weight: 3.5kg

6m2 kit - £430
10m2 kit - £490
tray only kit - £310

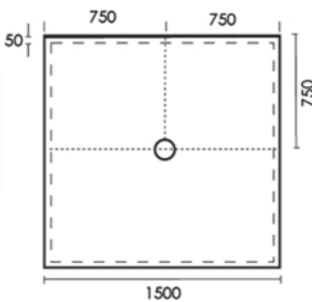


AF8

1500 x 1500

tray depth: 24mm
tray weight: 10.5kg

6m2 kit - £596
10m2 kit - £670
tray only kit - £470

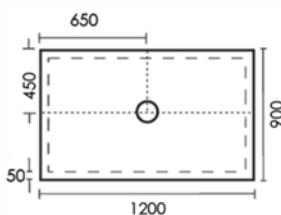


AF9

1200 x 900

tray depth: 20mm
tray weight: 5.4kg

6m2 kit - £430
10m2 kit - £490
tray only kit - £330

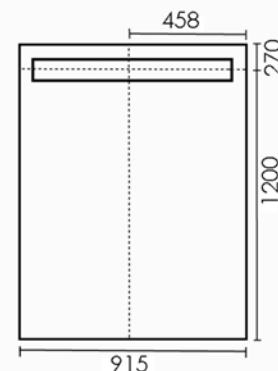


AF10

915 x 1200

tray depth 35mm
tray weight 11kg

6m2 kit - £720
10m2 kit - £780
tray only kit - £590



hidden tray sizes

AQUAFLOOR

www.wetrooms.livinghouse.co.uk

The Hidden Trays AF1- AF9 are manufactured from:

Fibre Reinforced Cement Faced Dense Waterproof Insulation Board

This material can be easily trimmed to required size.

The hidden tray size AF10 is manufactured from:

Rigid Fibre Resin.

Tanking board material used for AF1-AF10 is manufactured from:

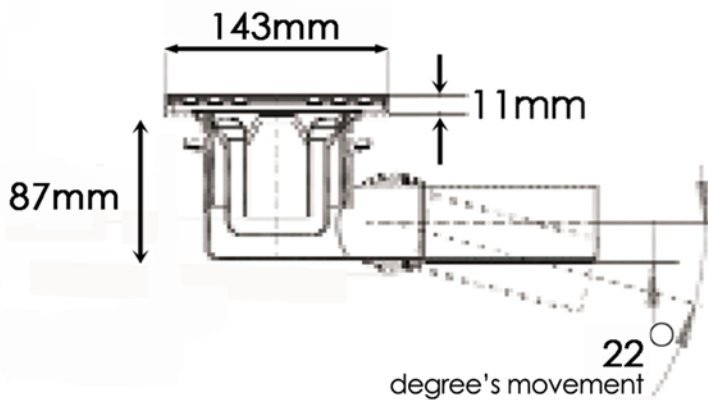
Fibre Reinforced Cement Faced Waterproof Insulation Board

Tanking boards dimensions:

1250 X 600 X 6MM.

Each board is 0.75 M2

Rapid draining waste for AF1-AF9 Hidden trays.



Rapid draining channel waste for AF10 Hidden tray.

