

grate styles.....



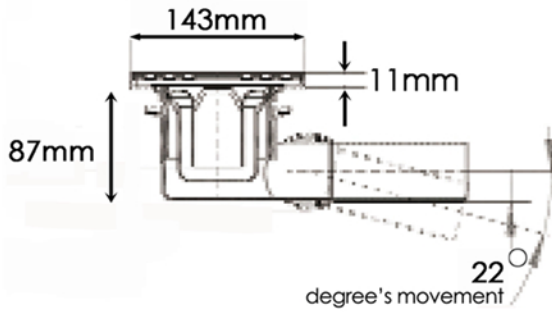
standard

deluxe

deluxe grey quadstone

deluxe black quadstone

Rapid draining waste for AF1-AF9
Hidden trays.



grate dimensions AF1-9

depth of trap

98 mm

diameter of waste pipe

43 mm internal / 50mm external

dimensions of grate

143mm x 143mm

flow capacity

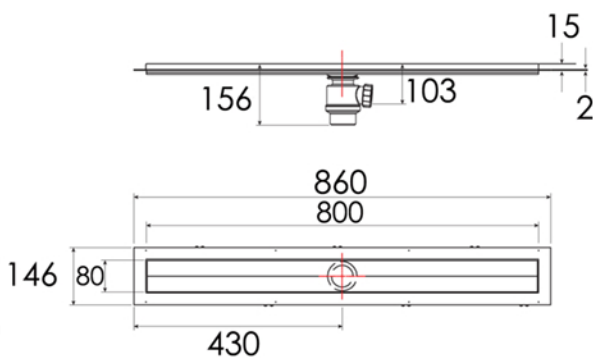
38 litres per minute



black glass

deluxe

white glass



grate dimensions AF10

depth of trap

156mm

diameter of waste pipe

40mm

flow capacity

36 litres per minute